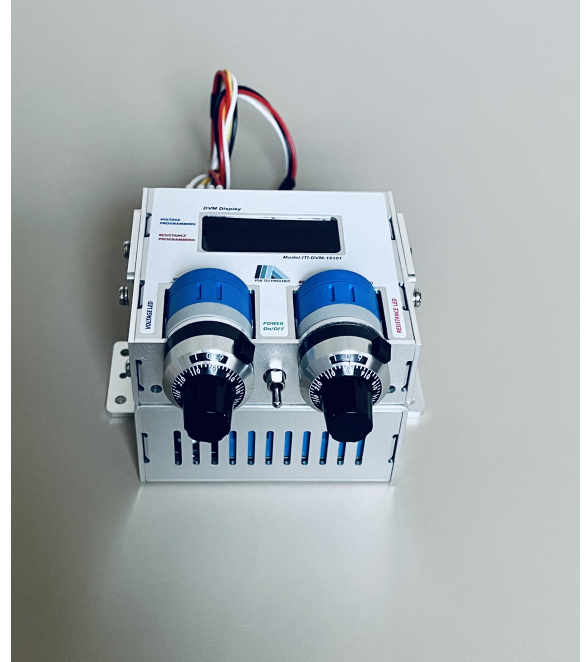


OVERVIEW

The PSK01(2ch) series is a compact module type multipurpose linear power supply designed for easy of use and high performance, and can be selected from among 2 models to meet your various needs. The PSK01(2ch) is ideally suited for operating PMT modules, APD modules, Amplifier units, Counting units and other Noise-sensitive Detectors and peripheral devices.

FEATURES / APPLICATIONS

- Extremely low ripple noise - 3mVp-p
- Built-in multi protection circuit
- Specially designed compact linear power
- High stability
- PMT modules, APD modules, Amplifiers, Counting Units, other Noise-sensitive systems



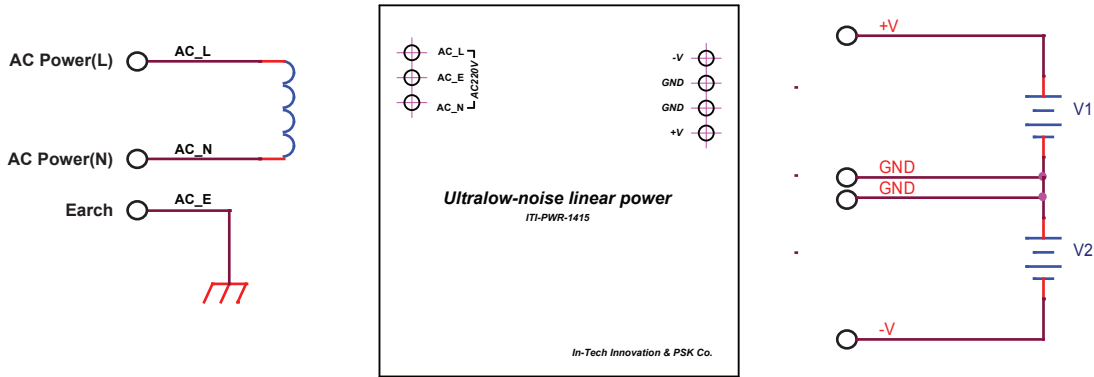
SPECIFICATIONS

Parameter			Model: PSK01 - 0205	Model: PSK01 - 0215
Output Voltage			$\pm 5 \text{ V} \pm 1.2 \% \text{ (fixed)}$	$\pm 15 \text{ V} \pm 0.8 \% \text{ (fixed)}$
Maximum Output Current			220 mA	130 mA
AC Input Voltage			230 V ($\pm 10 \%$) (50 Hz / 60 Hz)	
Line Regulation	Positive voltage	Max.	$\pm 0.092\%$	$\pm 0.092 \%$
	Negative voltage	Max.	$\pm 0.14 \%$	$\pm 0.14 \%$
Load Regulation	Positive voltage	Max.	0.3%	0.3 %
	Negative voltage	Max.	0.4 %	0.4 %
Output noise voltage **	Positive voltage	μVRMS	4.17	4.67
	Negative voltage	μVRMS	16	16
Operating Ambient Temperature / Humidity Range			0 °C to + 60°C, 85 % RH Max.	
Efficiency @ full load ***			70 %	
Weight			Approx. 356 g	

** BW = 10 Hz to 100 kHz

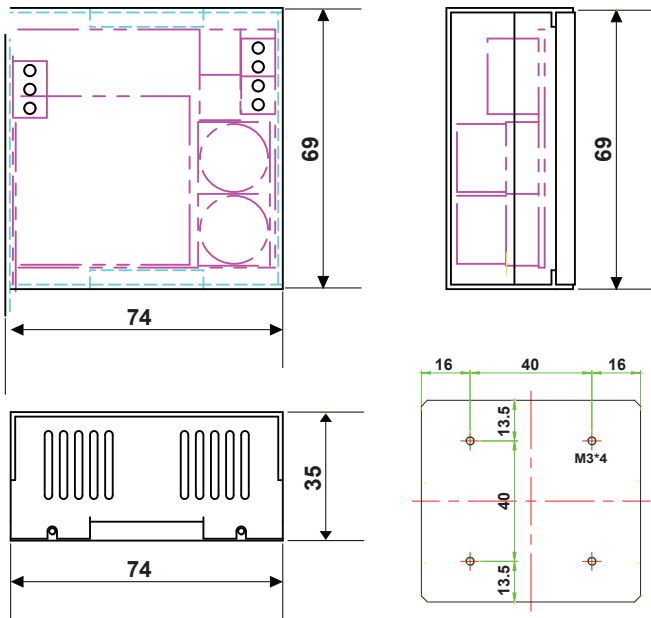
*** Electrical measurements @ 20°C ambient temperature

Connector pin cable connection

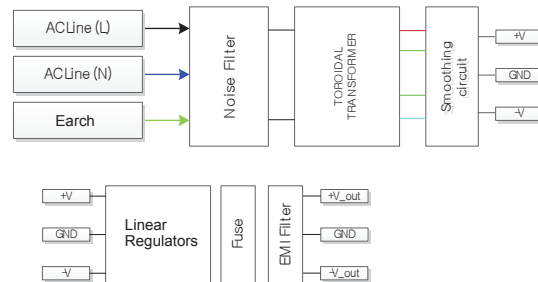


* Option : AC Power Cable (0.75 * 3 / 1.5mm)

DIMENSIONAL (Unit: mm)



Block Diagram



Option (Voltage Controller for PMT Module)



- Dual Operating Program
- 4-digit Display
- Vout : +0.200V ~ +1.980V
- Input Voltage Selectable (+5V or +5.5 ~ +20V)
- Precision Control Trimmer

